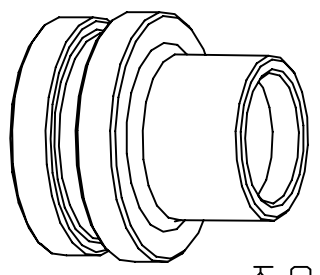
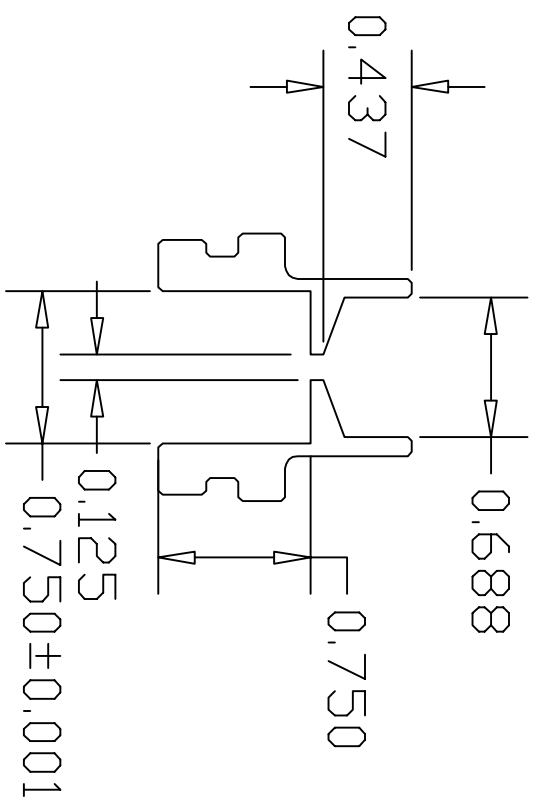


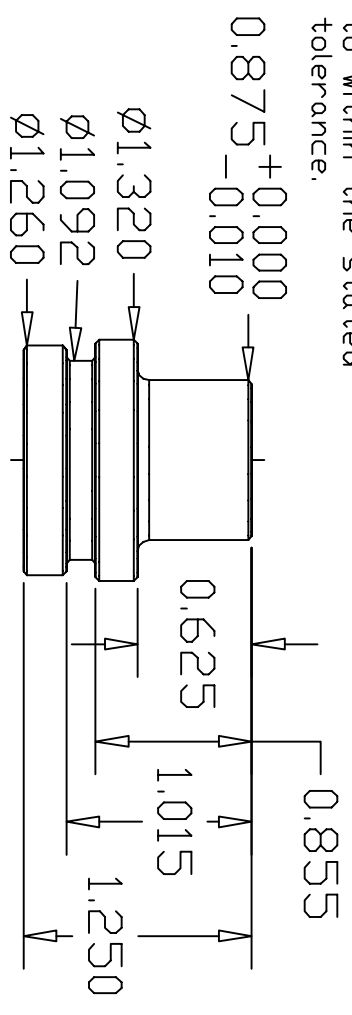
REVISIONS				
ZONE	REV	DESCRIPTION	DATE	APPROVED



Coarse diamond
knurl upper $\frac{1}{2}$ "

Dimensions are inches
and are $+/-0.005$ "
unless noted.

Cut this dimension
undersize and knurl
to within the stated
tolerance.



Material is 6061 aluminum
Type II or III anodized finish is optional

Loki Research, LLC

Delay Bulkhead for 38mm

Jeff Taylor		SIZE		FSCM NO.		DWG NO.		REV	
SCALE		SHEET							